

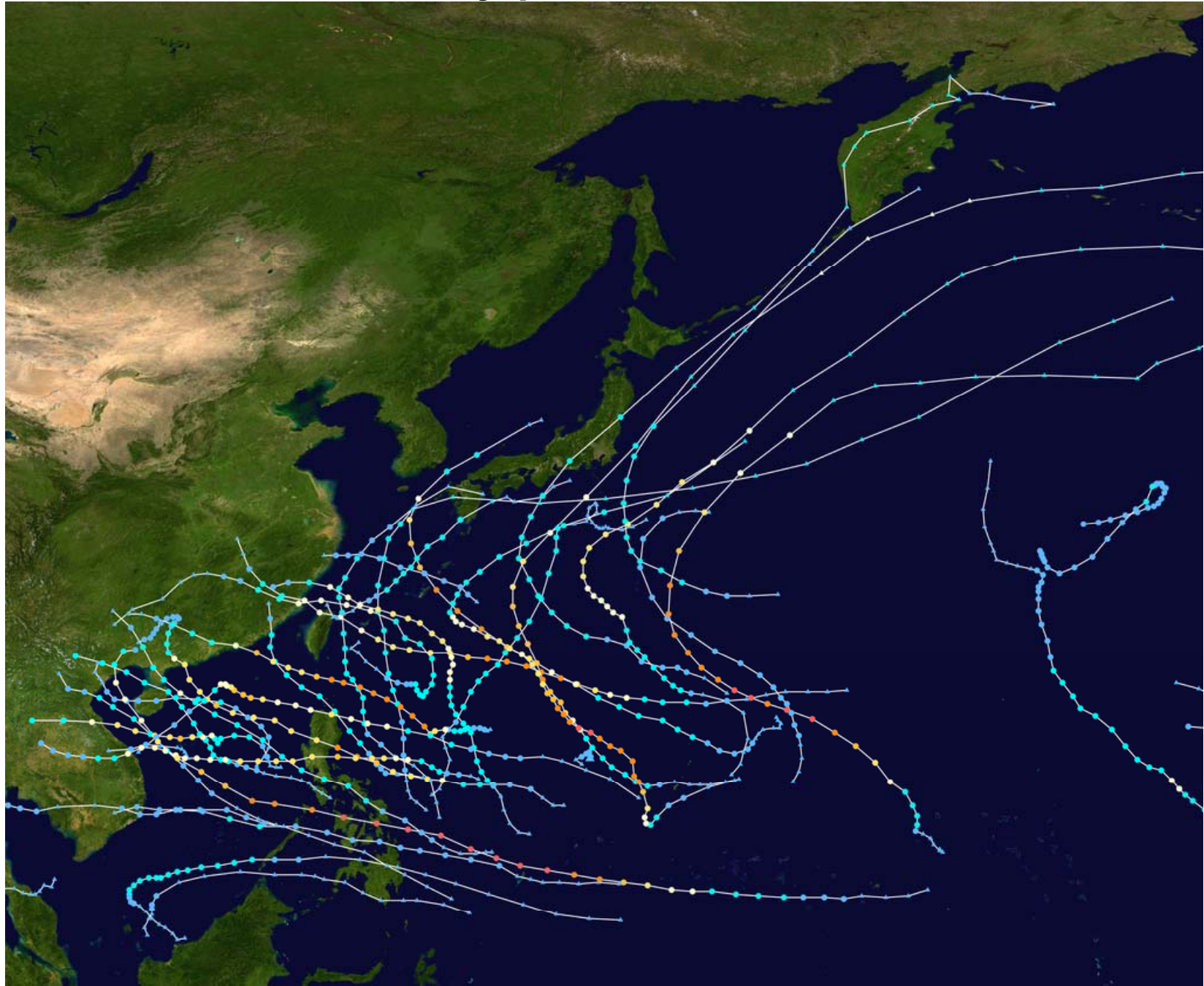


DMCC updates Philippines

6 March 2017

Typhoon tracks since 1950

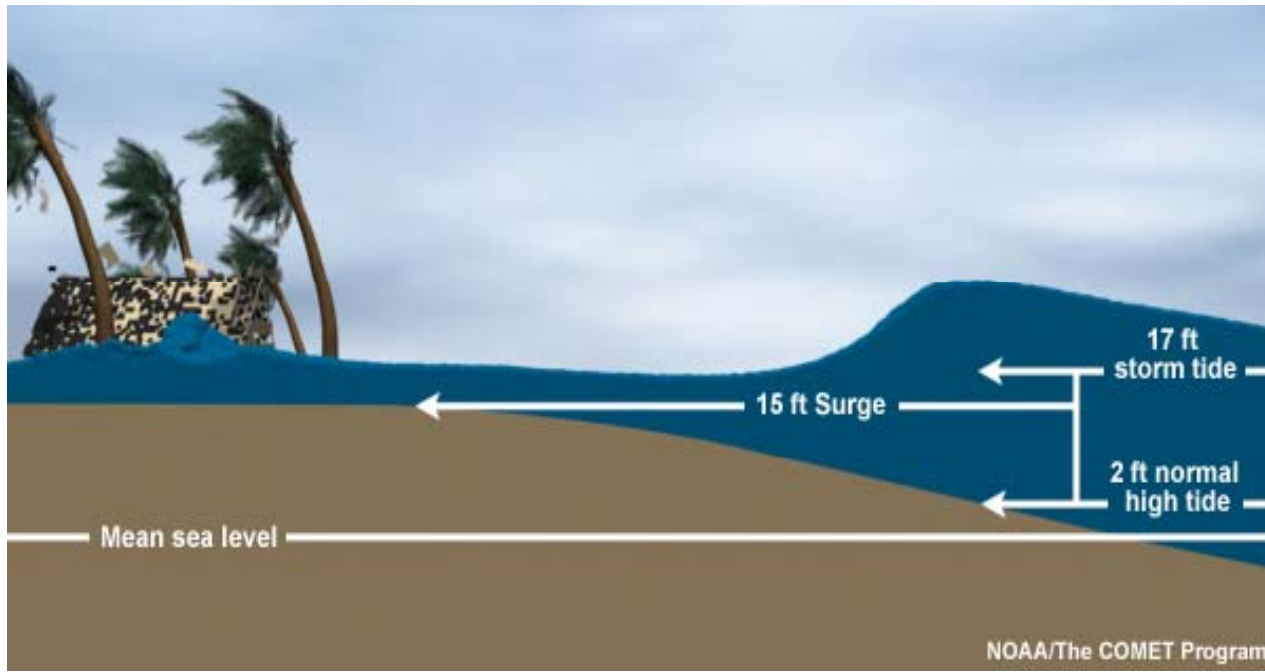
2013 Typhoon Season



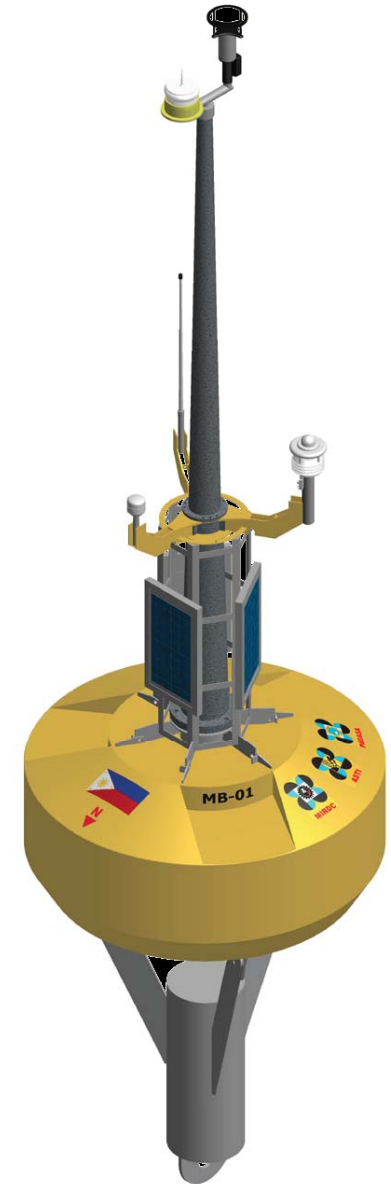
Typhoon Haiyan (Yolanda)

- Strongest storm to make landfall
- Category 5
- Almost 200mph winds
- 7 meter storm surge
- 57 cities hit
- > 6,000 casualties
- > 1,000,000 houses destroyed/damaged

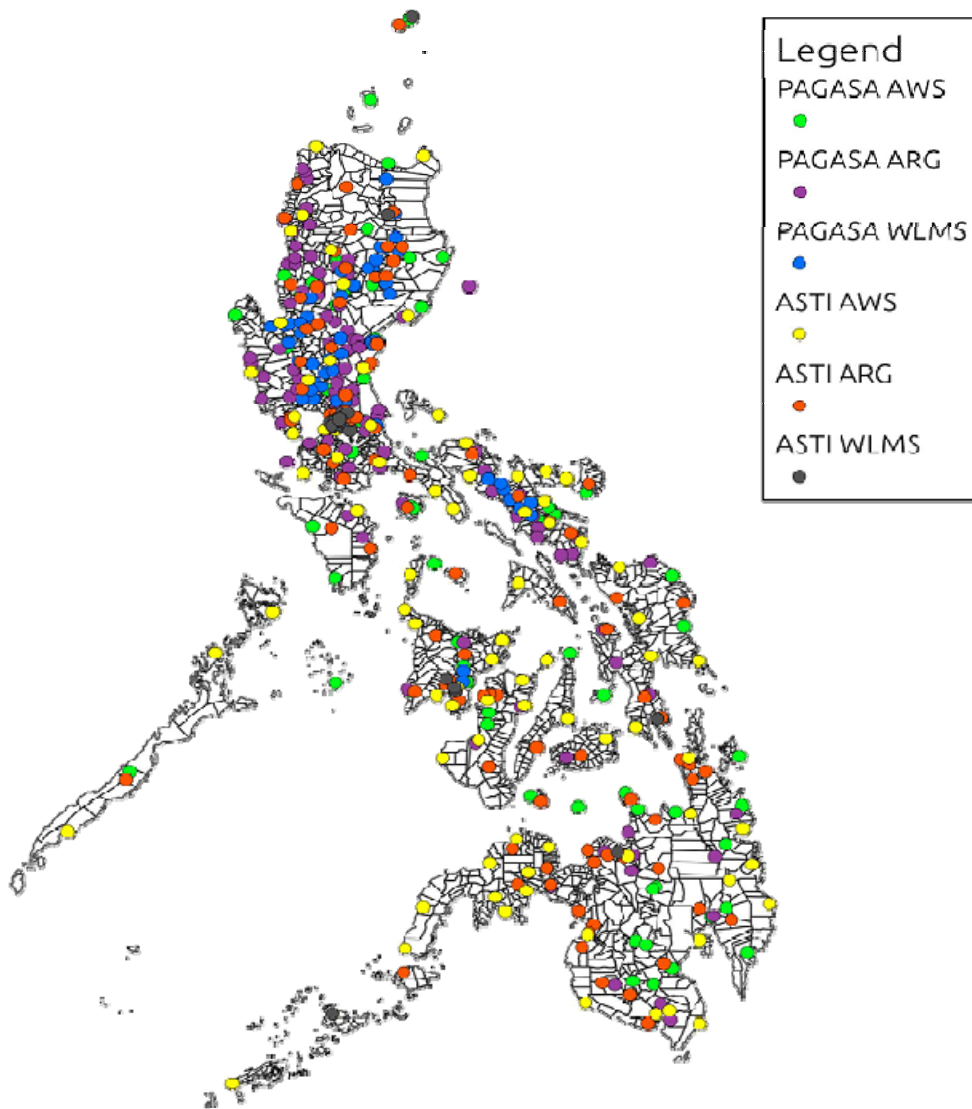




ASTI Automated WeatherStation, Rain Gauge, Water level Devices



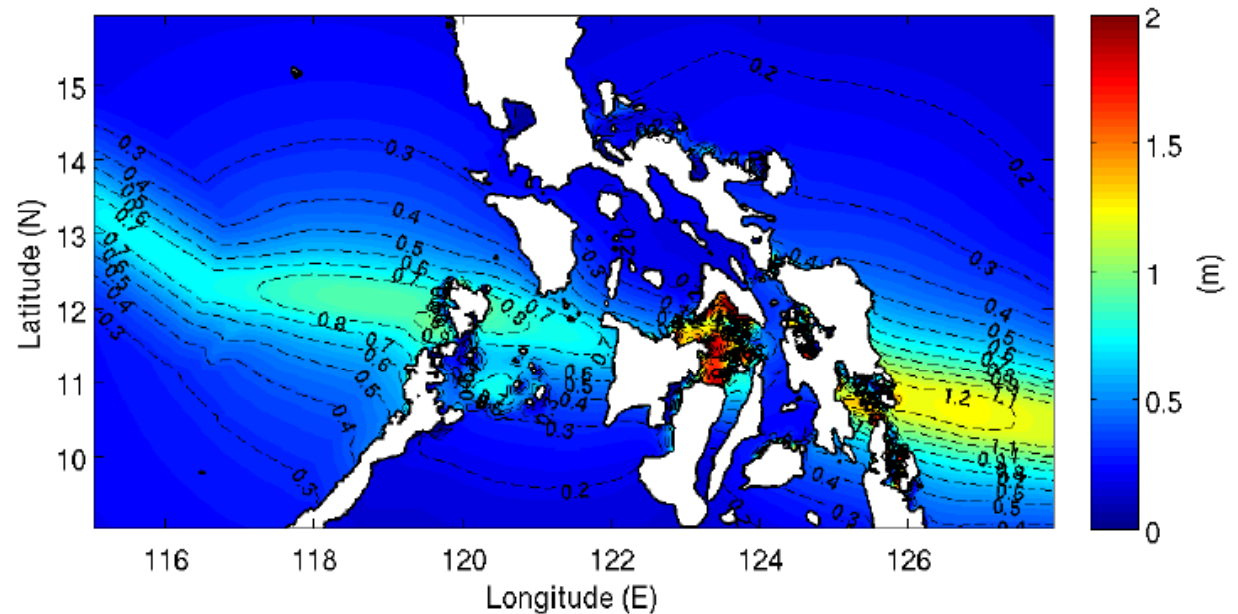
Current and Projected Deployment



- 80 Automated weather stations
- 600 Automated Rain Gauges
- 400 Water level monitors
- 2 Meteorological Buoys

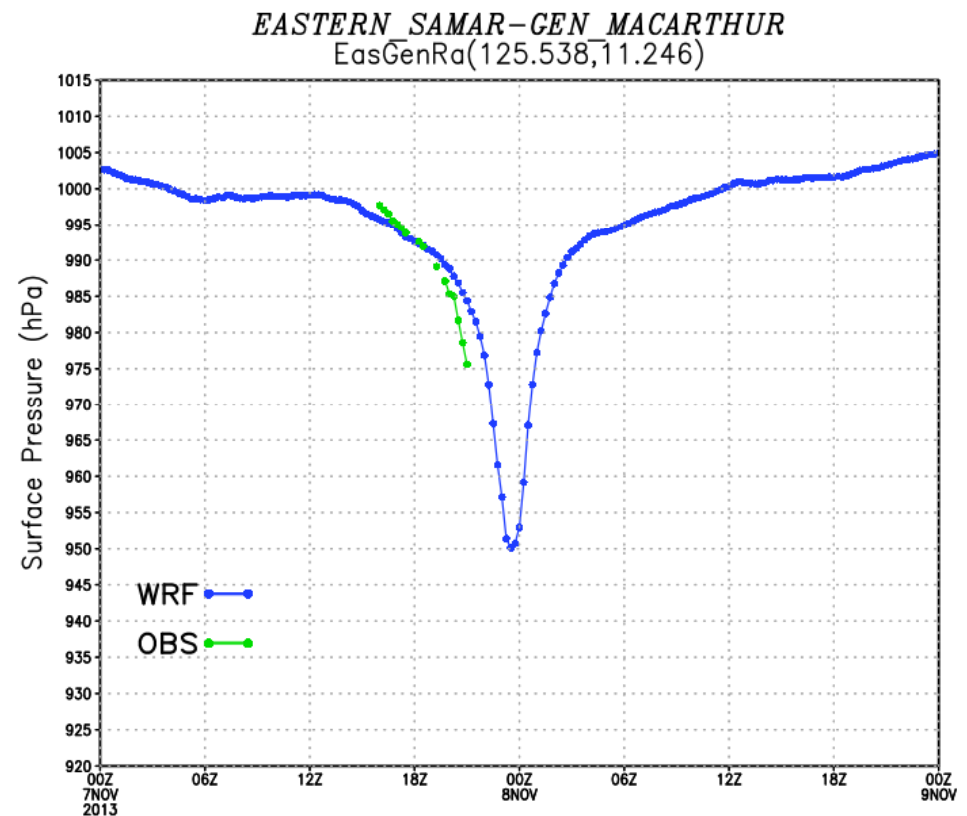
Cooperation with ASGC and NCU

- Typhoon Haiyan Storm Surge modeling and validation
- ASTI provides ...
 - Weather sensor data
 - Bathymetric data
 - Tidal gauge data
 - Elevation data
 - Doppler radar data



Work in progress

- Some preliminary results close to observed
- Data collection continues



Thank You